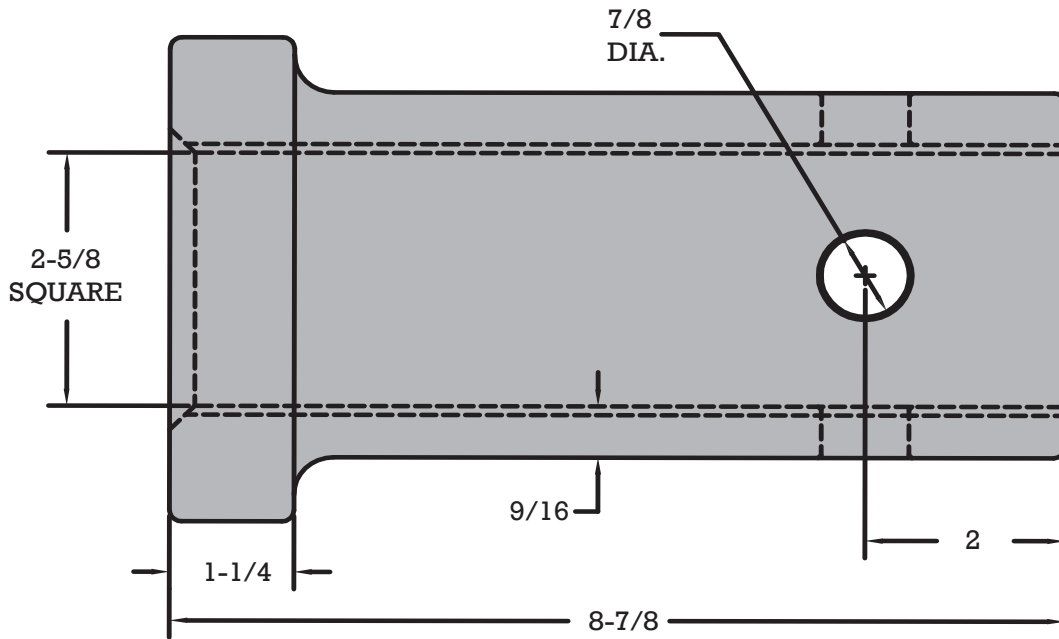


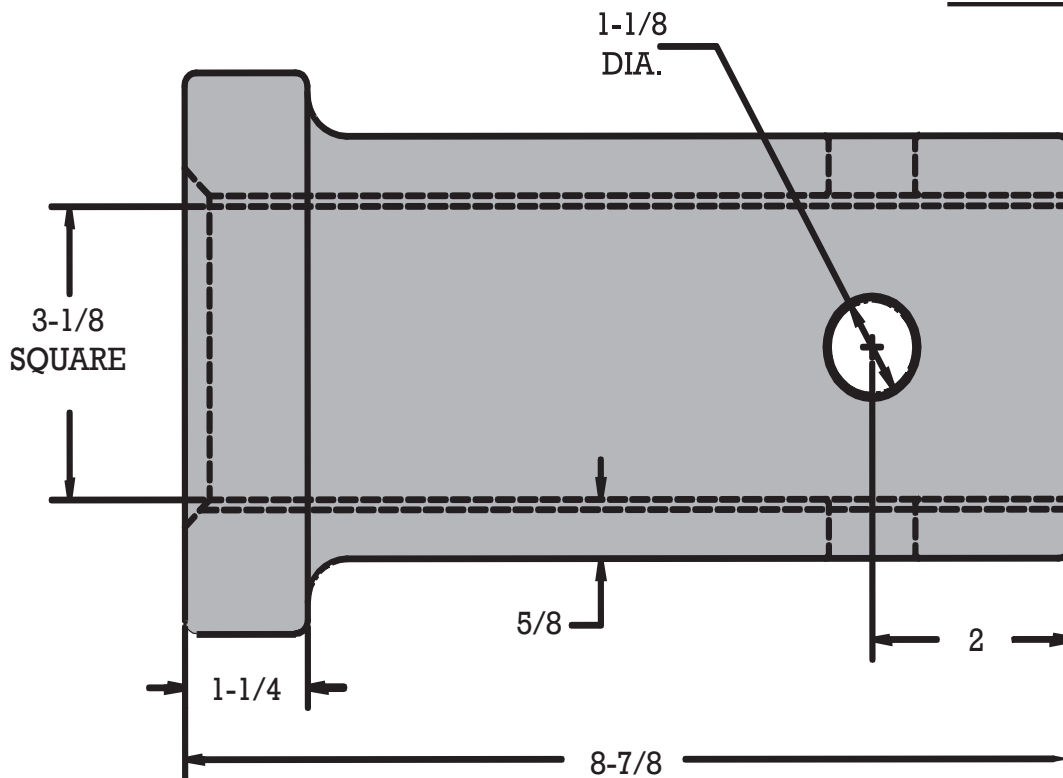
Kelly Boxes

without bottom

DB250-I



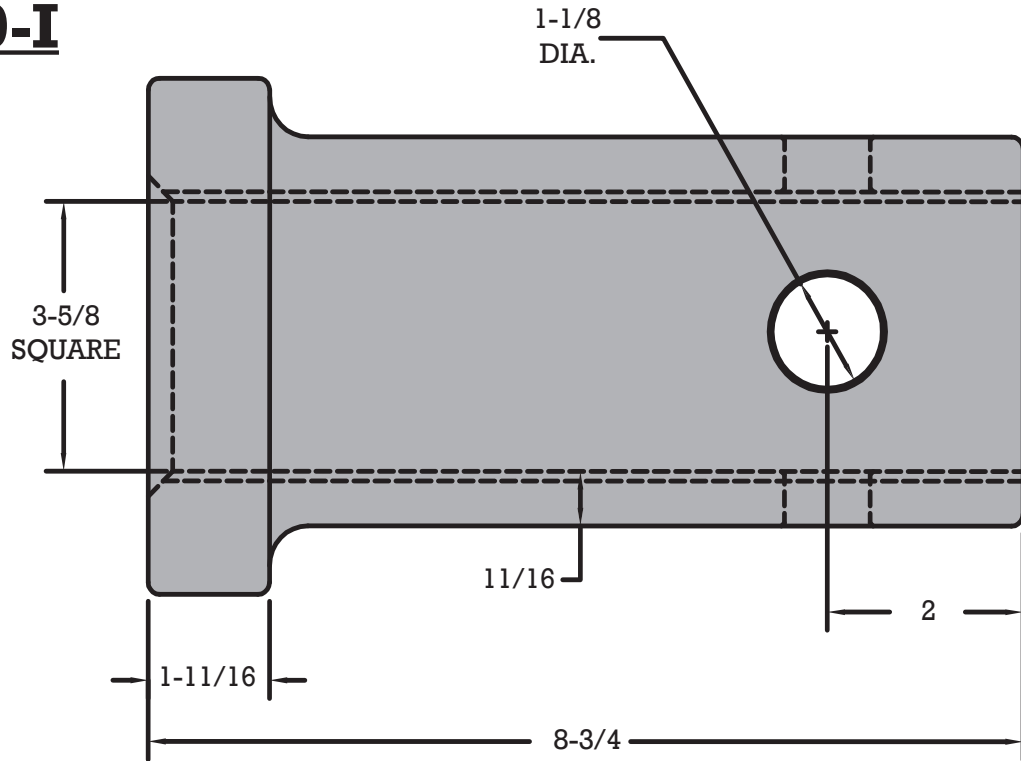
DB300-I



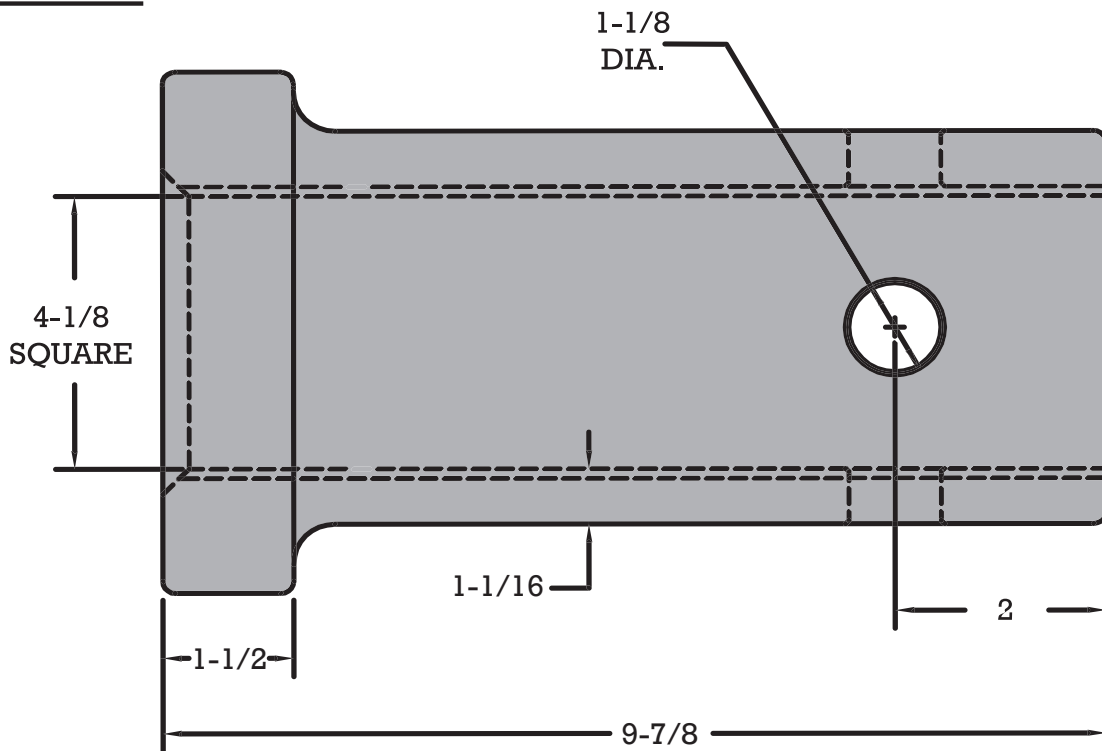
Kelly Boxes

without bottom

DB350-I



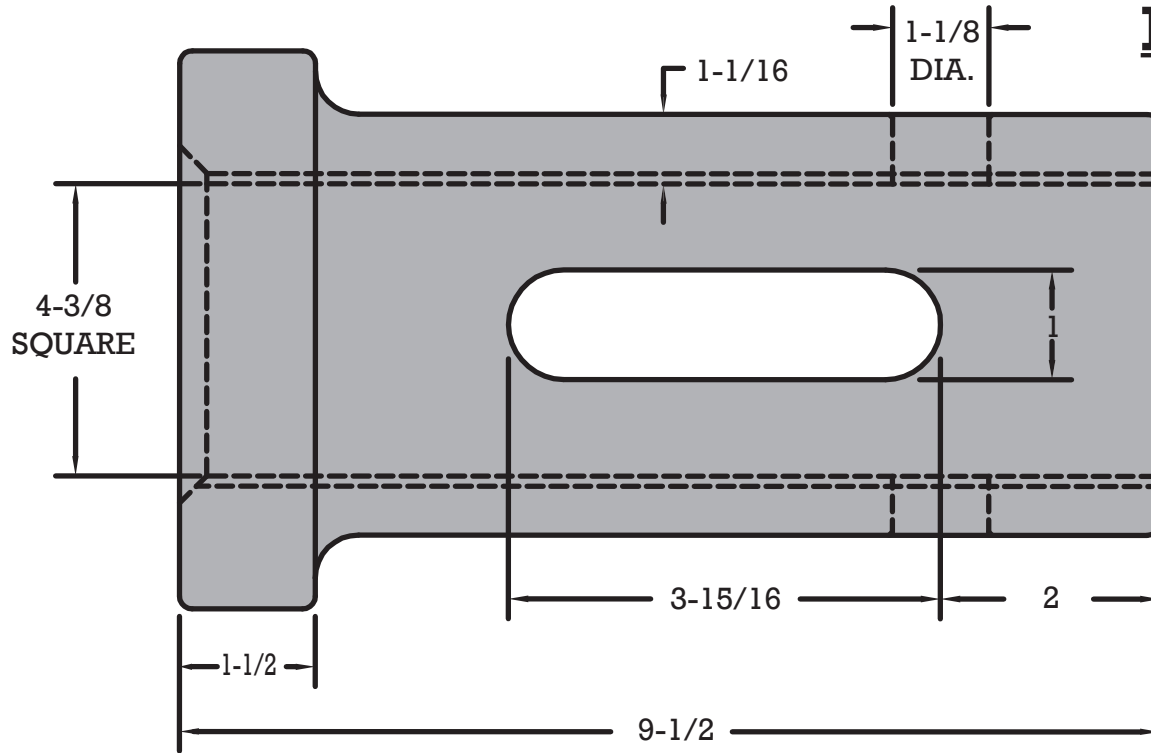
DB400-I



Kelly Boxes

without bottom

DB425

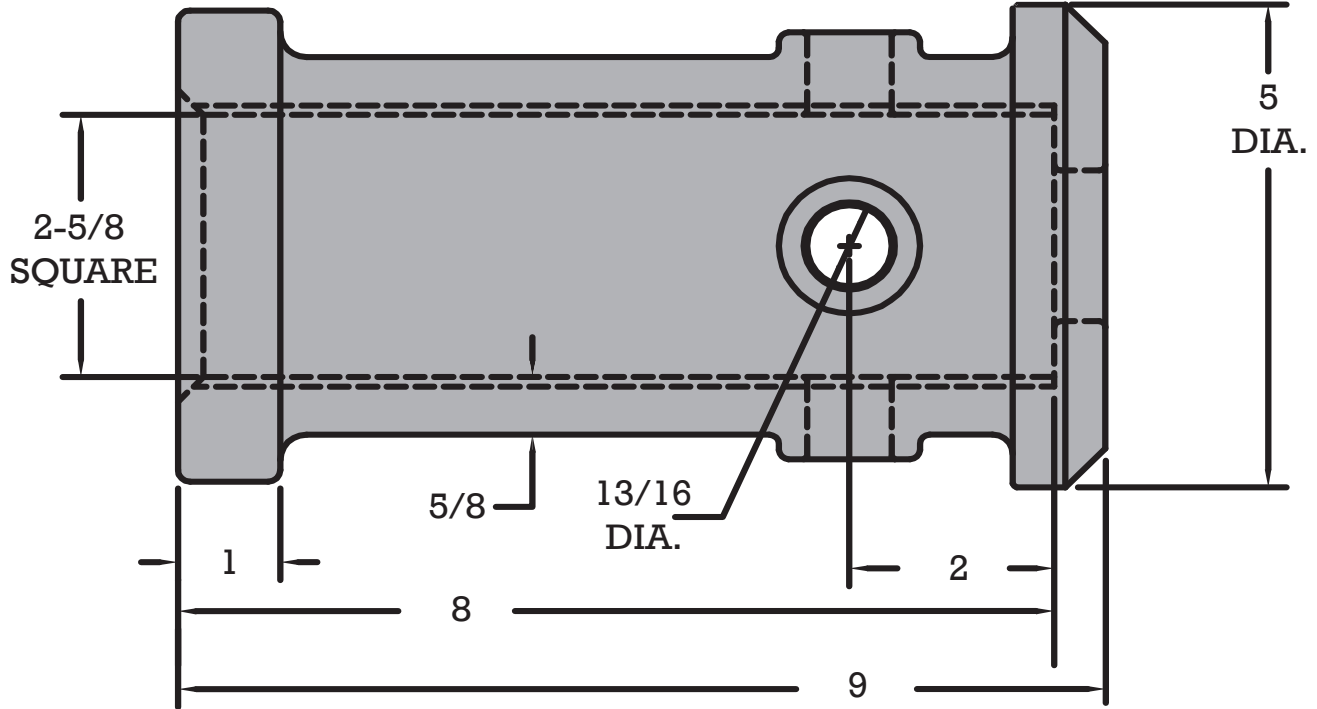


Description	Part No.	Inside Diameter	Unit lbs.
2-1/2 Box	DB250-I	2-5/8"	22
3" Box	DB300-I	3-1/8"	26.5
3-1/2" Box	DB350-I	3-5/8"	38
4" Box	DB400-I	4-1/8"	61.70
4-1/4" Box	DB425-I	4-3/8"	64.50

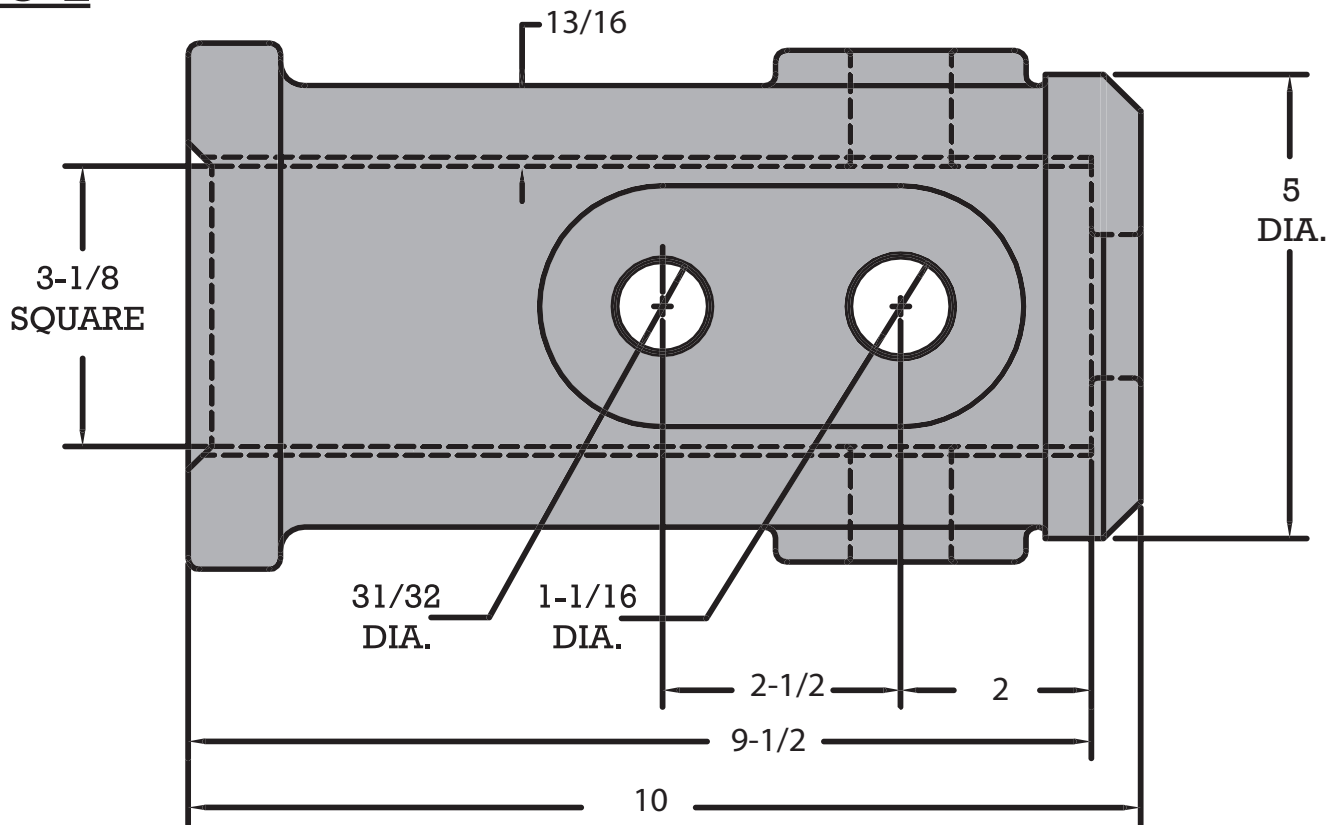
Kelly Boxes

with bottom

B250-I

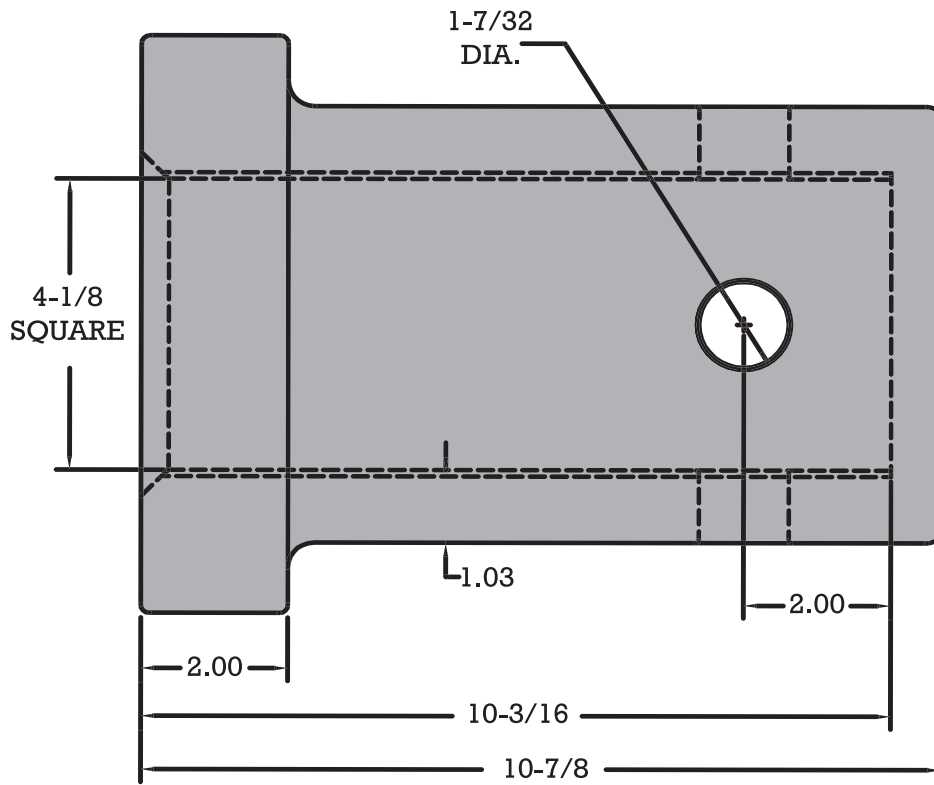


B3-I

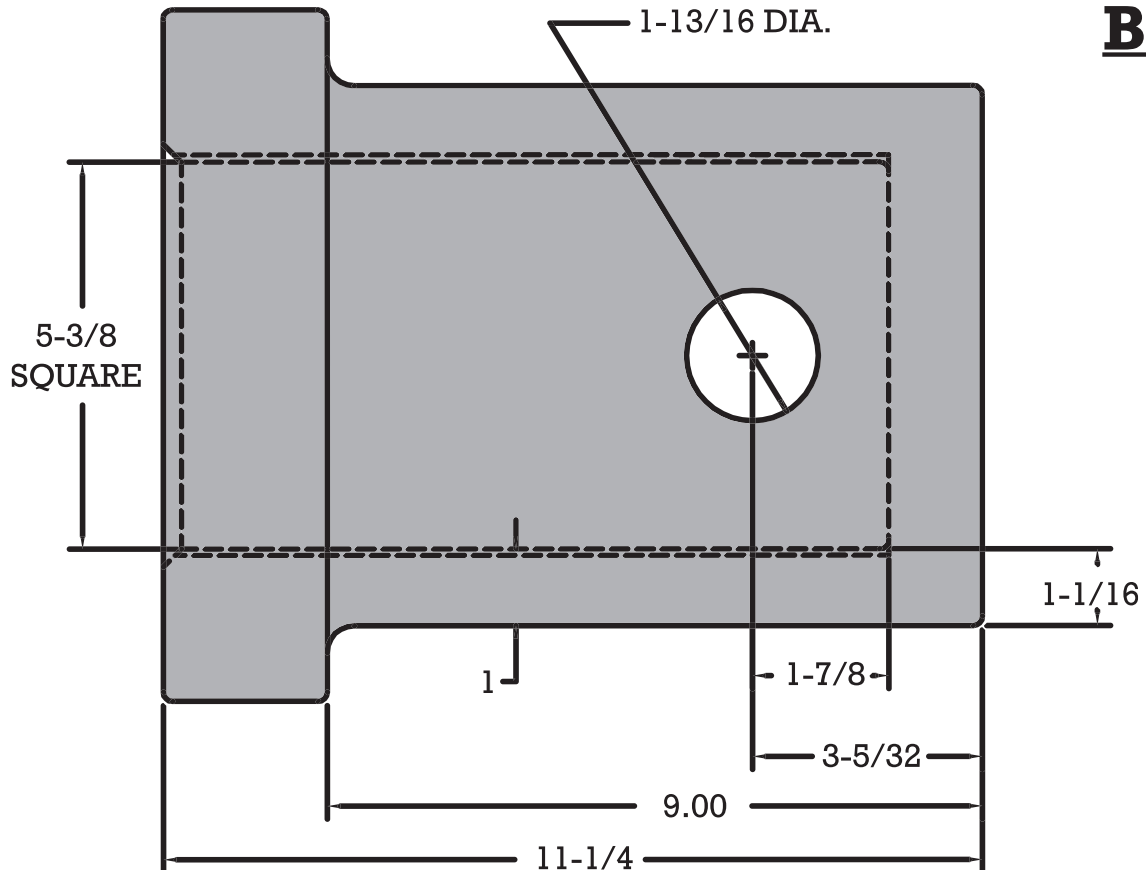


Kelly Boxes with bottom

B4-I

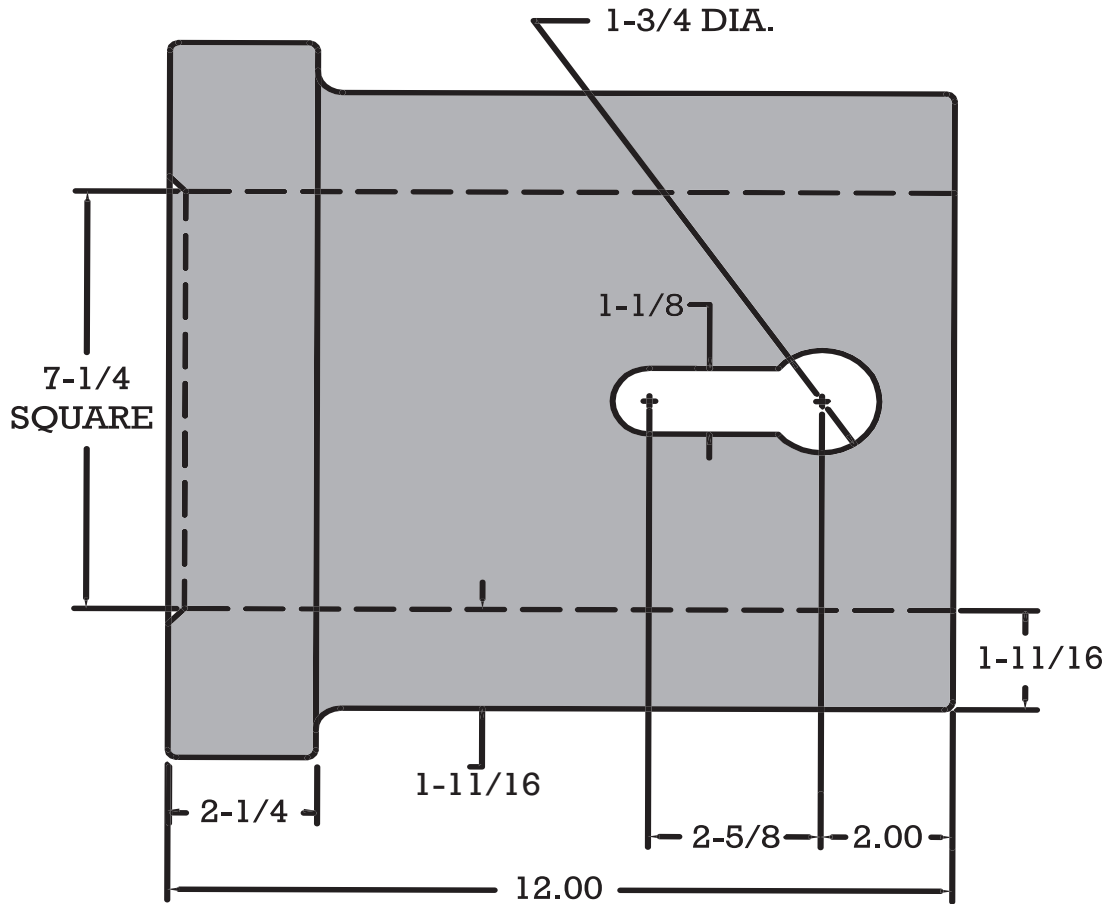


B525-I



Kelly Boxes with bottom

B7-I



Part No.	Inside Diameter	Wall Thickness	Unit lbs.
B250-I	2-5/8"	5/8"	22
B3-I	3-1/8"	5/8"	40.15
B4-I	4-1/8"	1"	78.5
B525-I	5-3/8"	1-1/16"	114
B7-I	7-1/4"	1-11/16"	223